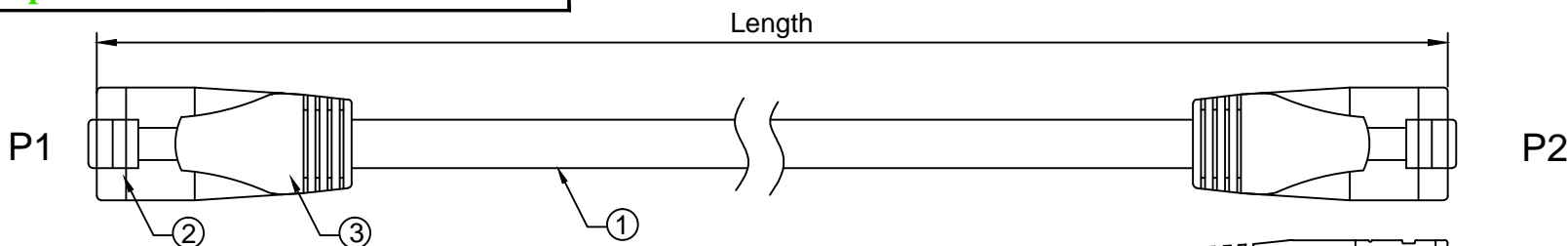




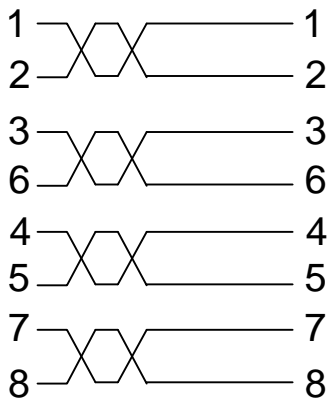
THESE DRAWINGS AND SPECIFICATIONS ARE THE PROPERTY OF SEBSON AND SHALL NOT BE REPRODUCED COPIED OR USED IN ANY MANNER WITHOUT THE PRIOR WRITTEN CONSENT OF SEBSON

RoHS CompliantU

REV.	REVISED DESCRIPTION	DATE	CHECKED
A0	FIRST RELEASE	2018/12/21	

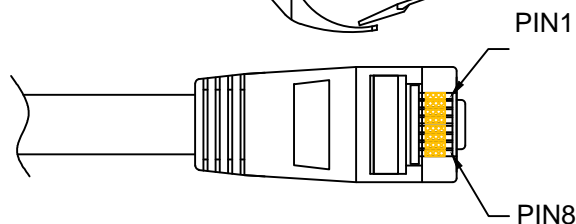
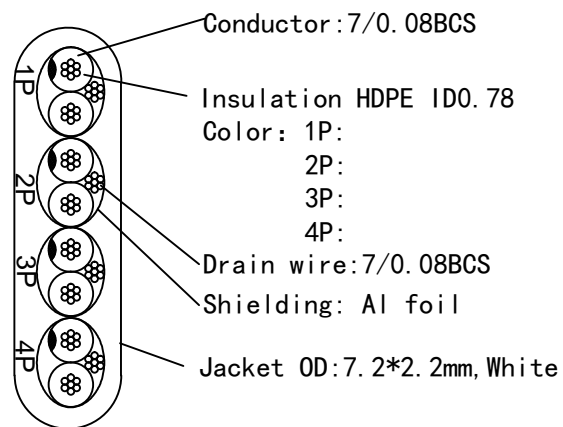


CONNECTION(TIA/EIA-568B)



Shell ————— Shell

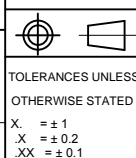
CONNECTION



Remark:

- 100% Open/Short Test
- The product is Reach/RoHS compliant.

ITEM	DESCRIPTIONS & SPECIFICATIONS	QTY	REMARK
③	Outer Mold PVC, White	2PCS	
②	Connector RJ-45 crystal head, Transparent Orange, Gold-Plated, Shielding Shell	2PCS	
①	Cable CAT7 U-FTP 32AWG (7/0.08BCS) OD:2.2*7.2 {[(7/0.08BCS+HDPE ID: 0.78mm) +D (7/0.08BCS) +AL]*1P}*4C+PVC OD:2.2*7.2mm	1.03m	



SEBSON		SEBSON address: Gernotstrasse 17 44319 Dortmund Germany	
ERP NO.:		SAMPLE DWG NO:	
SKU:		REVISION	A0
CUSTOMER:		UNIT	mm
CUSTOMER P/N:		SCALE	NO
DESCRIPTION	CAT7 RJ45 Male TO RJ45 Male (Flat Cable)	PAGE NO	1/1
		DATE	2018/12/21
APPROVAL		CHECKED	
		DRAWN	

Autodesk

Autodesk