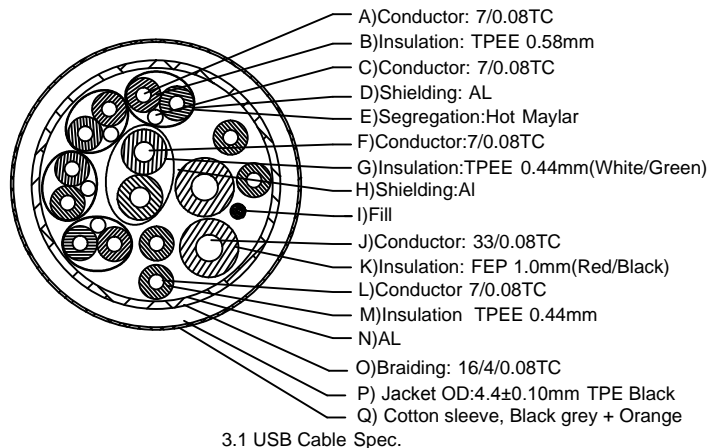
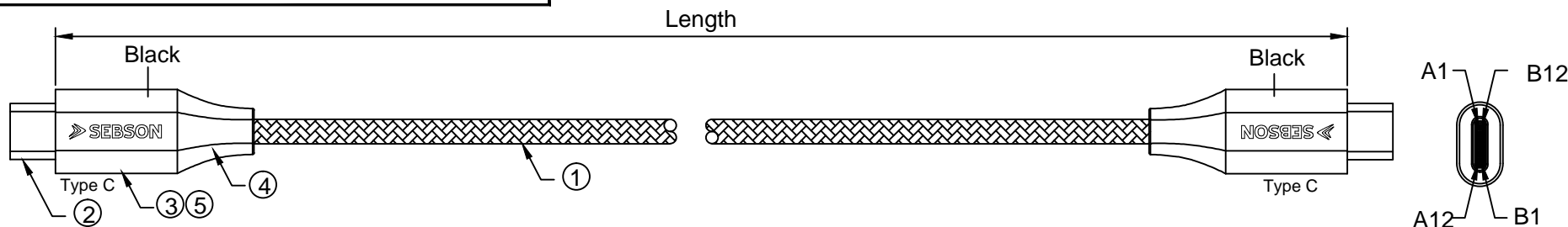




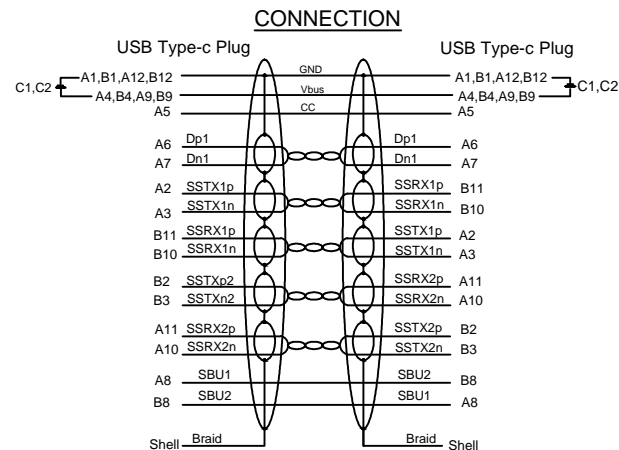
THESE DRAWINGS AND SPECIFICATIONS ARE THE PROPERTY OF SEBSON AND SHALL NOT BE REPRODUCED COPIED OR USED IN ANY MANNER WITHOUT THE PRIOR WRITTEN CONSENT OF SEBSON

RoHS CompliantU

REV.	REVISED DESCRIPTION	DATE	CHECKED
A0	FIRST RELEASE	2018/12/21	

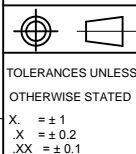


3.1 USB Cable Spec.



Remark:
 1. 100% Open/Short Test
 2. Conductive Resistance: 2ohms MAX
 3. Insulation Resistance: 5M ohm MIN.
 4. The product is Reach/RoHS compliant.

⑥	Cable tie	Cable tie, Black		
⑤	Shell	Al Shell, Black, "SEBSON" logo	2PCS	
④	External Mold	Outer Mould 25P PVC, Black Grey	2PCS	
③	Innernal Mold	Inner Mould, PE	2PCS	
②	Connector	USB Type C, PCBA(W/Capacitor, Resistor)	2PCS	
①	Cable	[(7/0.08TC+0.58TPEE)*1P+D(7/0.08)+AL+Mylar]*4P+ [7/0.08TC+0.44TPEE(White/Green)]*1P + [33/0.08TC+0.88FEP(Red/Black)]*2C +[(7/0.08TC+0.44TPEE)]*4P+ Fill+AL+16/4/0.08TC+TPE OD4.4mm + Cotton Sleeve	1.0m	
ITEM	DESCRIPTIONS & SPECIFICATIONS		QTY	REMARK



**SEBSON address: Gernotstrasse 17
44319 Dortmund Germany**

ERP NO.:		SAMPLE DWG NO.:	
SKU:		REVISION	A0
CUSTOMER:		UNIT	mm
CUSTOMER P/N:		SCALE	NO
DESCRIPTION	USB 3.1 Type C male to Type C male	PAGE NO	1/1
		DATE	2018/12/21
APPROVAL	CHECKED	DRAWN	

Autodesk

Autodesk